

MULTI-ZONE ANNUNCIATORS GQMZA



- Provides alarm control for permanent and semi permanent manned sites
- 6, 12 and 24 zone or alarm input configurations
- Accepts relay inputs from Geoquip and non Geoquip alarm devices
- Rack or desk mounted
- Externally powered with battery back-up
- Provides audio output for self verification of microphonic sensor

The Multi-zone Annunciator provides alarm control on manned sites by supplying a visual and audible warning of an alarm condition on any zone, in parallel with self verification via the audio channel. These audio facilities enable the security personnel to distinguish between "natural" disturbances and attempts to breach a secured area.

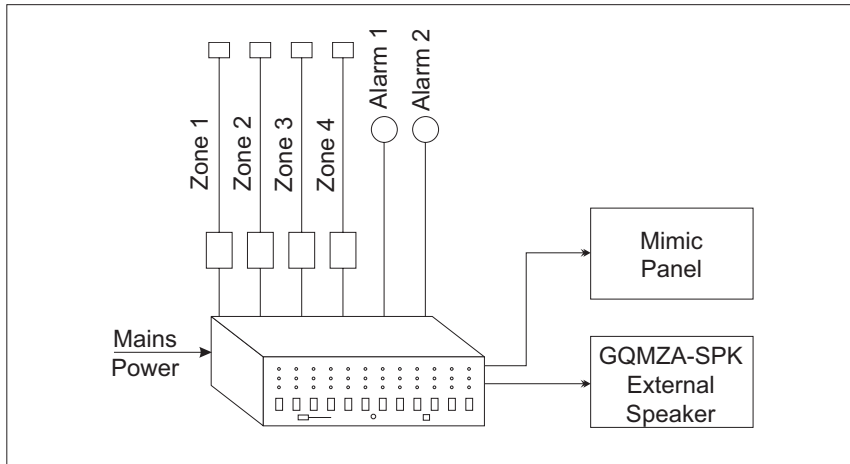
Other standard alarm outputs can be directly fed into the unit for secondary detection devices such as infra red rays and microwave beams and other detection systems. The Multi-zone Annunciator provides the facility to disable individual zones or devices for testing and maintenance.

Each Multi-zone Annunciator provides mimic panel display drivers as standard. The units have an integral battery backup rated at 4 hrs.

MULTI-ZONE ANNUNCIATORS

GQMZA

Integrates with:



- Alpha Sensor
- RAFID
- RV Beams
- Multizone Annunciator
- Multiplexer
- CentrAlert
- Gthernet

TECHNICAL INFORMATION

Application	Alarm control and maintenance of multiple zones and individual detectors	Dimensions	
Sales Part Numbers		Rack Mount	
GQ6ZA	Six zone annunciator	GQ6ZA/GQ12ZA	W 483mm x H 132mm x D 265mm
GQ12ZA	Twelve zone annunciator	GQ24ZA	W 483mm x H 264mm x D 265mm
GQ24ZA	Twenty four zone annunciator	Desk Mount	
Inputs		GQ6ZA/GQ12ZA	W 520mm x H 175mm x D 315mm
Alarm	1 NO or NC contact per zone (group selectable)	GQ24ZA	W 520mm x H 340mm x D 315mm
Tamper	1 NO or NC contact per zone (group selectable)	Weight	
Audio	1 twisted pair, 600 Ω input per zone required for audio monitoring	GQ6ZA/GQ12ZA	8kg
Outputs		GQ24ZA	16kg
Alarm	1 NO or NC contact per zone (individually selectable) rated at 0.3A at 110V ac or 1A at 30V dc	Power Requirements	110V/240V ac 50/60Hz at 1A hard wired Integral 4 hour battery backup
Tamper	1 common NO or NC contact Mimic panel display driver	Housing	Folded steel (black)
Alarm Status Indicators	Zone status LED flashes when audio is selected Three LEDs per zone: Red - Tamper Green/Red - Secure/Alarm Yellow - Disabled	Front Plate	Steel (black)
Controls	Master reset Keyswitch control for zone disable Loudspeaker volume Three position switch per zone Up - Disabled Centre - Secure Down - Audio select/deselect	Operating Temperature	-10°C to +40°C
		Electro Magnetic Compatibility	Complies with the requirements of BS EN50081-1 and EN50082-1
		Options	Mimic panel Desk mounted available Remote speaker output Supervisory input board
		Installation Time	60 minutes
		Location	Internally desk mounted
		Maintenance	Routine inspection
		Installation	By any Geoquip approved installer
		Warranty	12 months from date of invoice