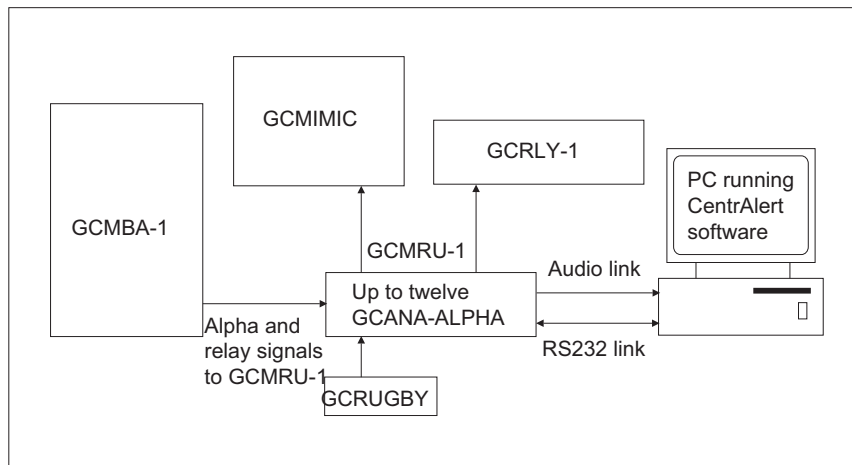




# RELAY OUTPUT UNIT GCRLY-1

Integrates with:



- Defensor
- Guardwire
- PSICON
- RAFID
- Multiplexer
- Sensor Coil 600
- Multizone Annunciator

## TECHNICAL INFORMATION

<b>Application</b>	Alarm management system providing centralised alarm annunciation and sensor adjustment
<b>Sales Part Number</b>	
GCRLY-1	Relay output unit
GCRLY-ADD	Additional sixteen relay card
<b>Inputs</b>	Alarm inputs from GCMRU-1 master rack unit
<b>Outputs</b>	Up to four relay outputs per alarm zone Relays can be Form A or Form B
<b>Dimensions</b>	
Rack mounted	135mm high (3U) 482mm wide (19" rack) 310mm deep
Case Mounted	150mm high 450mm wide 310mm deep
<b>Weight</b>	6kg
<b>Power Requirements</b>	110V/240V ac 50/60Hz
<b>Operating Temperature</b>	10°C to 30°C
<b>Installation Time</b>	System supplied pre-configured and fully set up
<b>Location</b>	Located within 5m of GCMRU
<b>Maintenance</b>	Requires only remedial maintenance
<b>Installation</b>	By any Geoquip approved installer
<b>Warranty</b>	12 months from date of invoice